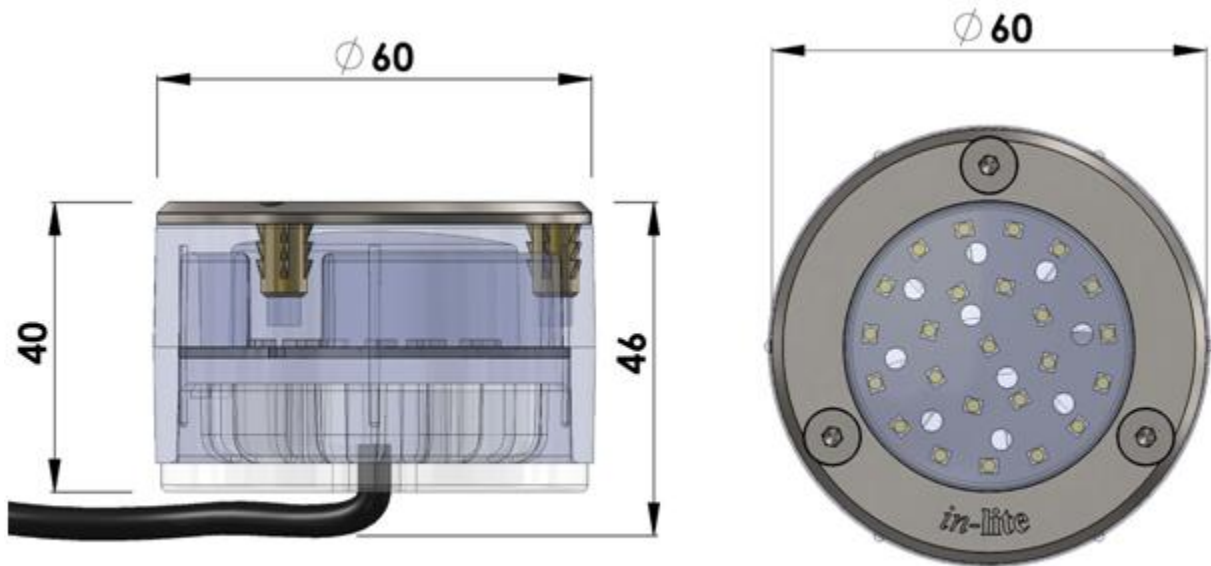


# STELLAR WARM



LIGHT SIZE	SMALL
FIXTURE TYPE	INTEGRATED
LIGHT COLOUR	WARM WHITE
LIGHT ANGLE (°)	62
OPTIMUM RANGE (M)	1,5
LUX	33
LIGHT TEMPERATURE (K)	3000
CRI (Colour Rendering Index)	85
IP CLASS	67
EXTERNAL TEMP. (IN OPERATION) (°C)	<50
VOLTAGE	12V AC
COMMUNICATED CONSUMPTION (W)	2
EFFECTIVE CONSUMPTION (W)	2,23
DRIVE-OVER (when installed)?	Y
EST'D. LIGHT SOURCE LIFETIME (hours)	50000
WHEN USED 4 HOURS/DAY (in years)	34,25
OPTION 1	RING 80
OPTION 2	PLATE 75